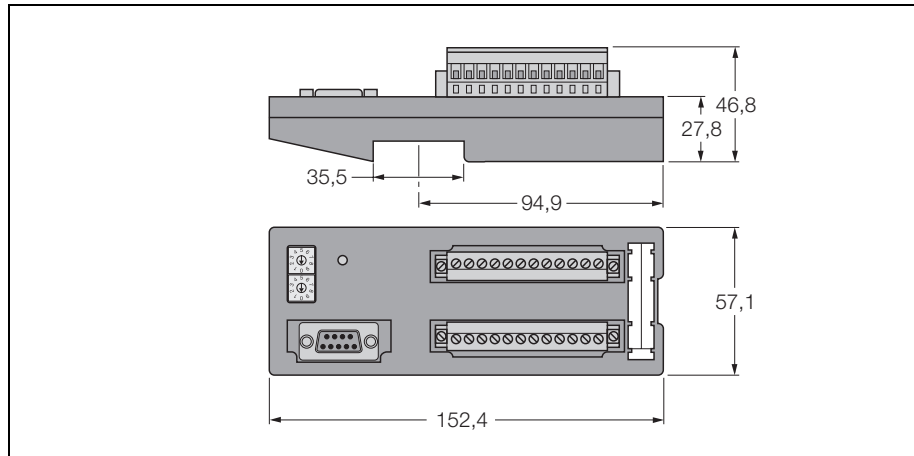


compact I/O station for PROFIBUS-DP
16 configurable channels
FDP20-16XSG



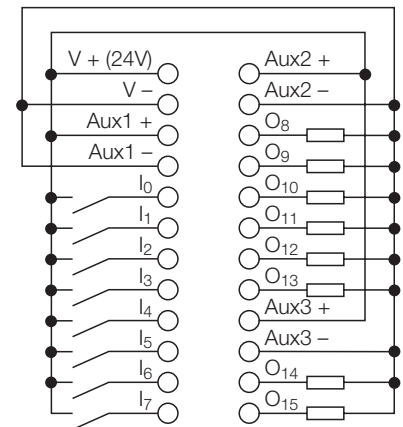
- rotary coding switch for adjustment of the node address
- degree of protection IP20
- 3 I/O power supply groups each galvanically isolated
- 16 configurable channels, DI or DO
- 24VDC, pnp
- Output current: 0.5A

Fieldbus



Type	FDP20-16XSG
Ident-No.	6611466 F1030
Number of channels	16
Electrical isolation	I/Os to PROFIBUS
internal power consumption	<75 mA plus I/O supply
Admissible range field supply	18...30VDC
Fieldbus transmission rate	9.6 kbps up to 12 Mbps
Fieldbus addressing range	1...99
Fieldbus addressing	2 decimally coded rotary switches
Inputs	&x0020;
Input voltage	18...30VDC
Low level signal voltage	< 4 V
High level signal voltage	8...24 V
Low level signal current	< 0.5 mA
High level signal current	1...3.4 mA
Input delay	2,5 ms
Max. input current	700 mA
Outputs	
Output voltage	18...30 VDC, short-circuit proof
Output current per channel	0.5A (from Aux)
Switching frequency	≤ 100 Hz
LEDs Bus	green: communication red: no communication yellow: Error in I/O section (short-circuit output)
LEDs I/O	green: on
Dimensions (W x L x H)	57.1 x 152.2 x 46.8 mm
Operating temperature	0°C...55°C
Degree of protection	IP20

Wiring diagram



Wiring diagram

