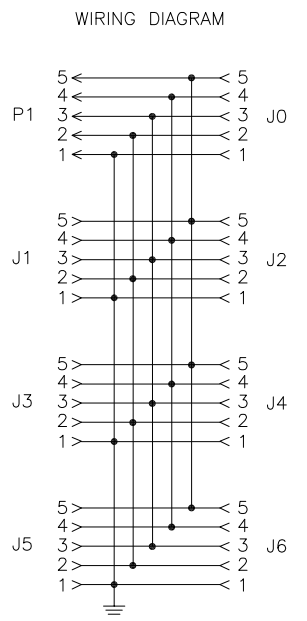
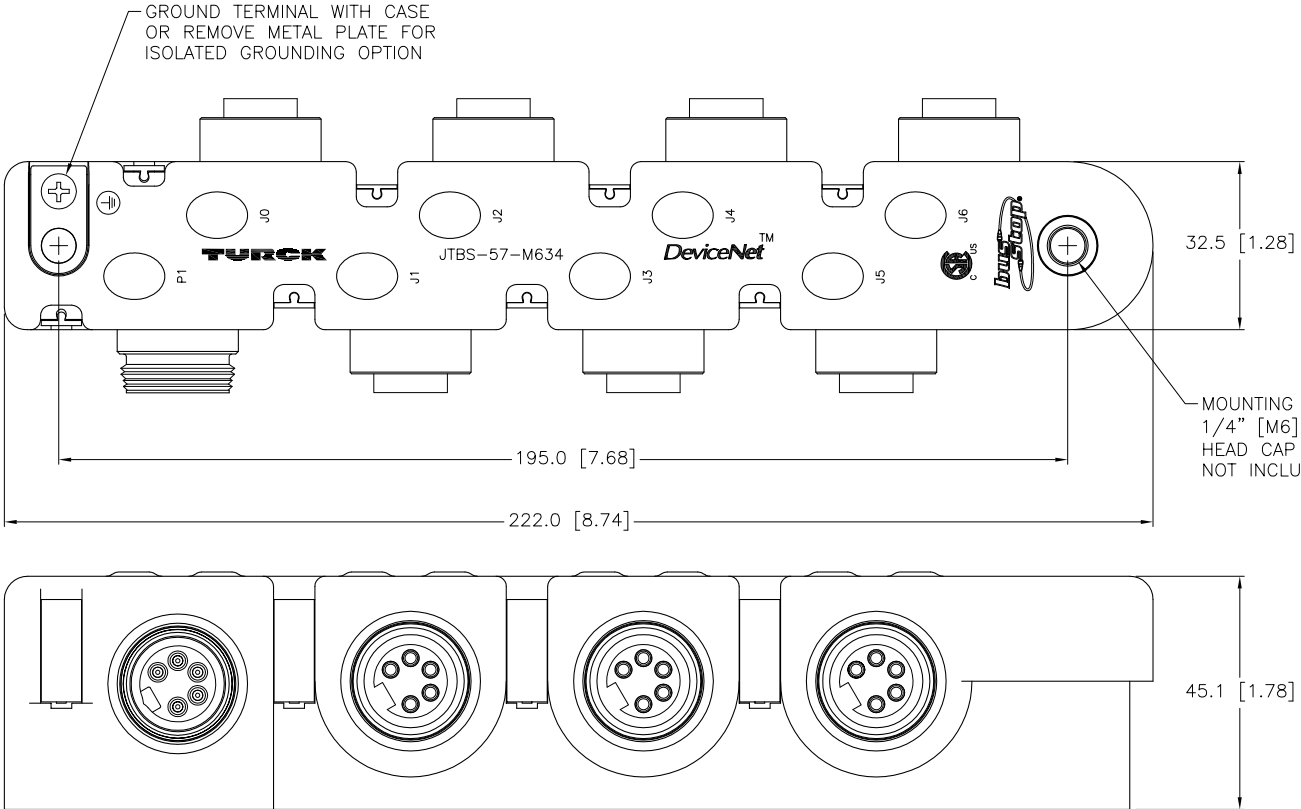
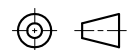


SPECIFICATIONS	
HOUSING MATERIAL/COLOR	TPU/BLACK
RECEPTACLE HOUSING/PLATING	BRASS/NICKEL
CONTACT CARRIERS	TPU
CONTACT MATERIAL/PLATING	BRASS/GOLD
OPERATING VOLTAGE	300V
OPERATING CURRENT	9.0 A PER CONNECTOR
PROTECTION CLASS	NEMA 1,3,4,6,13 AND IEC IP67
OPERATING TEMPERATURE	-30°C to 80°C (-22°F to 176°F)



MOUNTING SCREWS  
1/4" [M6] SOCKET  
HEAD CAP (2)  
NOT INCLUDED

RELATED DOCUMENTS		3RD ANGLE PROJECTION		THIS DRAWING IS CONFIDENTIAL AND THE PROPERTY OF TURCK INC. USE OF THIS DOCUMENT WITHOUT WRITTEN PERMISSION IS PROHIBITED.		<b>TURCK IAC</b> High Technology Sensors and Automation Controls 3000 CAMPUS DRIVE MINNEAPOLIS, MN 55441 1-800-544-7769 (763) 553-7300 (763) 553-0708 fax turck.com	
1.			DRFT	RDS	DATE	12/13/01	DESCRIPTION JTBS-57-M634
2.			APVD	GC	SCALE	1=1.5	
3.		ALL DIMENSIONS DISPLAYED ON THIS DRAWING ARE FOR REFERENCE ONLY  CONTACT TURCK FOR MORE INFORMATION	UNIT OF MEASUREMENT		IDENTIFICATION NO.		REV
4.			MILLIMETER [ INCH ]		U7865-64		D
MATERIAL		DO NOT SCALE THIS DRAWING		FILE: U7865-64		SHEET 1 OF 1	
FINISH							
D	UPDATE GROUND TERMINAL NOTE	KMY	10/26/11	36879			
REV	DESCRIPTION	BY	DATE	ECO NO.			

D	UPDATE GROUND TERMINAL NOTE	KMY	10/26/11	36879
REV	DESCRIPTION	BY	DATE	ECO NO.