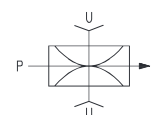
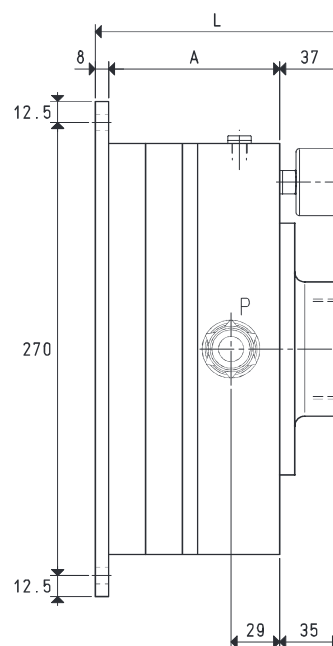
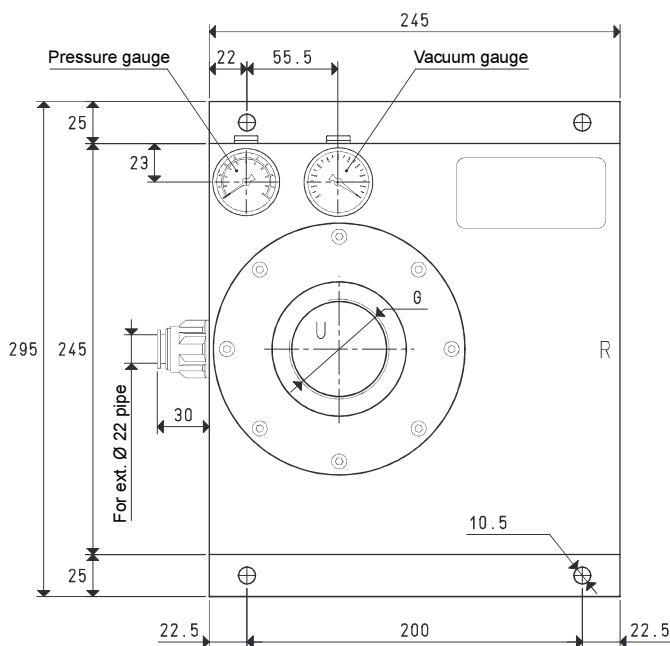


MODULAR MULTI-STAGE VACUUM GENERATORS PVP 450 MD and 600 MD



P=COMPRESSED AIR CONNECTION

R=EXHAUST

U=VACUUM CONNECTION

Art.		PVP 450 MD				PVP 600 MD	
Max. quantity of sucked air	cum/h	490	530	580	640	700	750
Max. vacuum level	-KPa	65	82	90	65	82	90
Final pressure	mbar abs.	350	180	100	350	180	100
Supply pressure	bar (g)	4	5	6	4	5	6
Air consumption	NI/s	34.4	39.4	47.8	43.2	53.5	63.2
Working temperature	°C			-20 / +80			-20 / +80
Noise level	dB(A)			74			78
Weight	Kg			9.9			11.1
A				122			142
G	Ø			G2" 1/2			G3"
L				167			187
Spare parts							
Sealing kit e disc valves	art.			00 KIT PVP 450 MD			00 KIT PVP 600 MD
Vacuum gauge	art.			09 03 15			09 03 15
Pressure gauge	art.			09 03 25			09 03 25

Note: All the vacuum data indicated in the table are valid at the normal atmospheric pressure of 1013 mbar and are obtained with a constant supply pressure.

By adding the letter R to the article, the generator will be supplied with a built-in check valve (E.g.: PVP 450 MDR).

3D drawing available at www.vuototecnica.net